

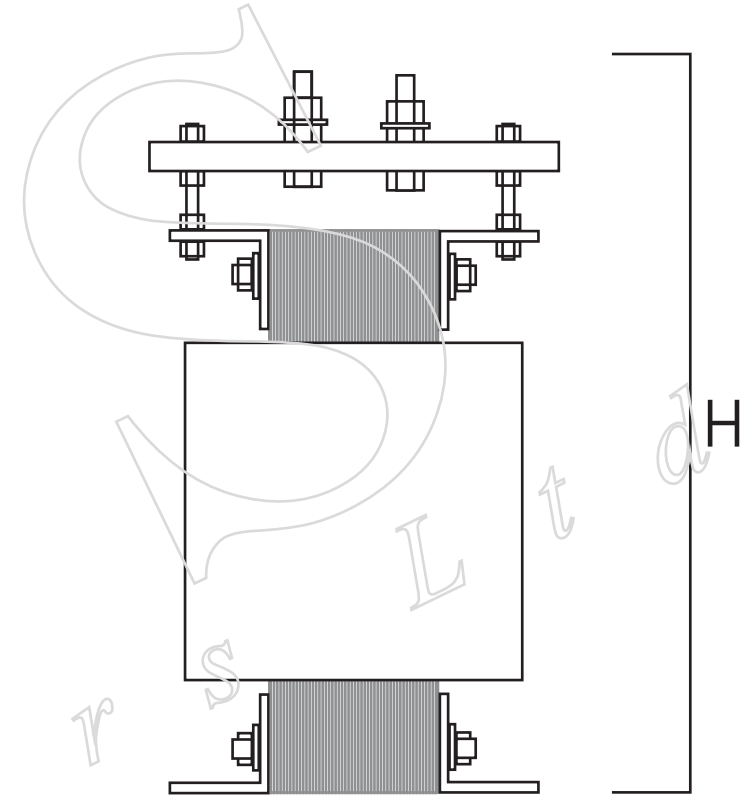
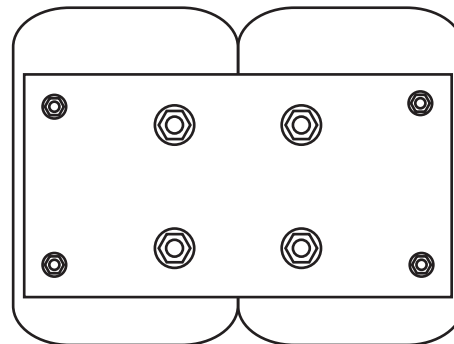
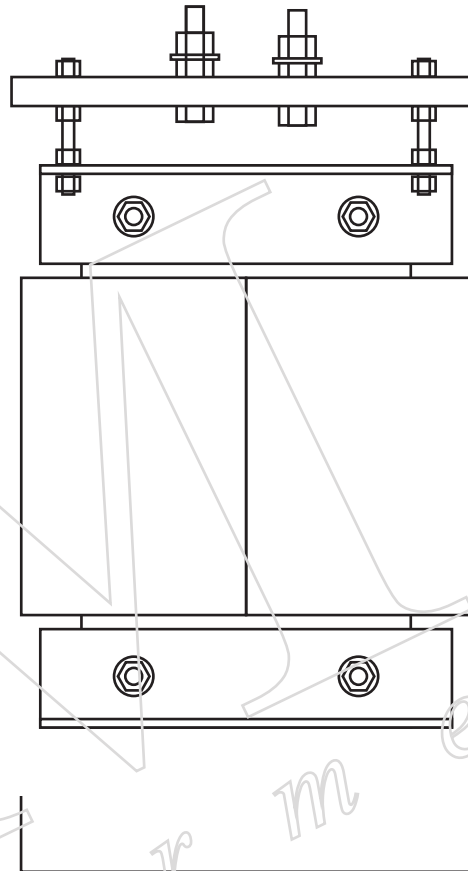
# JMS

Transformers Ltd



## Single phase double wound transformers

kVA	w	h	d	kg
15kva	320	550	330	107
20kva	320	550	390	130
25kva	320	550	420	145
30kva	320	550	480	165
40kva	400	650	450	227
50kva	400	650	510	255
60kva	400	650	540	280
75kva	400	650	600	300
90kva	480	750	420	388
100kva	480	750	440	440
150kva	480	750	480	517
200kva	600	850	500	683
300kva	640	900	520	888
400kva	880	1200	750	1457
500kva	880	1200	880	1632



- Features
- Galvanised mounting frames
  - Insulation class F 155°C
  - Low temperature rise
  - High efficiency design
  - Stud terminals on engraver SRBP board
  - Varnish impregnated
  - 100% tested
  - 12 month warranty
- Manufactured to requirements of BS EN 60742  
BS171 and BS EN 601558